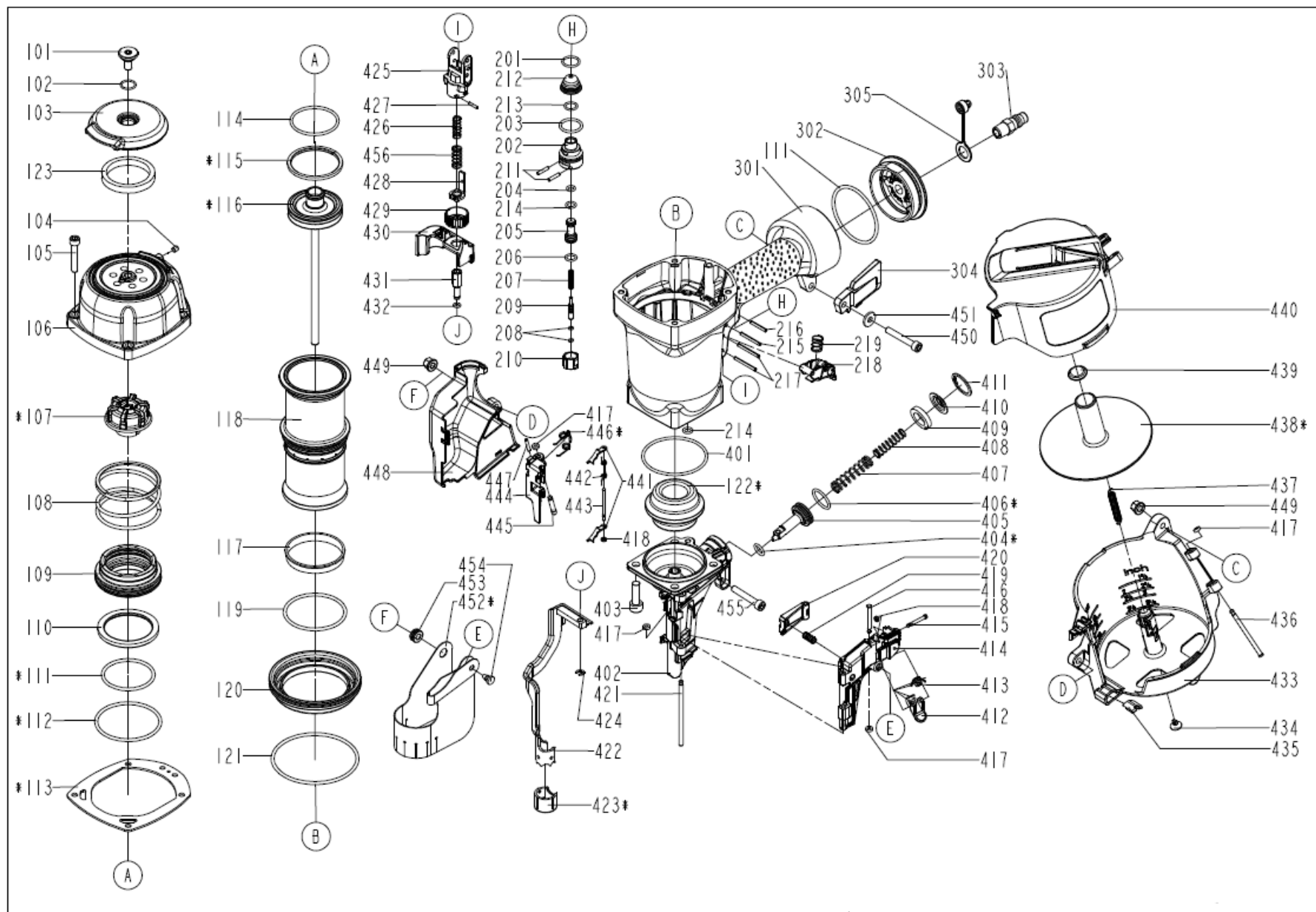


Coil nailer ESSVE CN 15/90



Coil nailer ESSVE CN 15/90

Pos	Art. Nr.	Name	Pos	Art. Nr.	Name	Pos	Art. Nr.	Name	
101	10001181	HEX.SOC.HD.BOLT	216	2040401051100	SPIRAL PINS	431	10001167	ADJUST ROD	
102	10001026	FLAT WASHER	217	10001193	SPIRAL PINS	432	10001063	O - RING	
103	113BG10847011	EXHAUST DEFLECTOR GASKET	218	1122407647011	TRIGGER UNIT	433	10001106	MAGAZINE CASE	
104	10001371	HEX.SOC.HD.SCREW	219	1137603700011	SPRING	434	10001100	SPRING BASE	Service kit
105		HEX.SOC.HD.BOLT	301		GUN BODY UNIT	435		WASHER	901047 Service kit
106		CAP	302	11346108A4012	END CAP	436	1136R08647011	MAGAZINE SHAFT PIN	901049 Feeding kit
107*	10001145	SEAL	303	901147	AIR PLUG	437	10001086	PULL SPRING	901051 Driver kit
108	10001119	COMPRESSION SPRING	304	1133D10847011	SPRING RETAINER	438*	10001109	SPACER	901053 Shatter protection
109	10001136	HD.VALVE PISTON	401		O - RING	439	10001102	SPRING BASE A	901055 Door Latch set
110	10001175	COLLAR	402		NOSE PIECE	440	1135510847011	MAGAZINE COVER	901057 Trigger valve kit
111*	2041101050210	O - RING	403		HEX.SOC.HD.BOLT	441	10001111	NAIL STOP	901045 No mark set 3x423
112*	10001199	O - RING	404*		O - RING	442	10001096	STOPPER FINGER SPRING	
113*		CYLINDER CAP SEAL	405	10001131	FEED PISTON	443	10001112	PIN-NAIL STOP	
114		O - RING	406*		O - RING	444		FEED FINGER	
115*		PISTON RING	407		PUSHER SPRING	445		PIN FEED PISTON	
116*		DRIVER UNIT	408		PUSHER SPRING	446*		FEED FINGER SPRING	
117	1132203700021	CYLINDER RING	409	10001104	FEED BUMPER	447		SPIRAL PINS	
118		CYLINDER	410	10001133	FEED PISTON CAP	448	10001103	SPRING COVER	
119		O - RING	411		C - RING	449	10001195	BOLT CAP	
120		CYLINDER SPACER	412		DOOR LATCH	450	10001180	HEX.SOC.HD.BOLT	
121	10001197	O - RING	413		LATCH SPRING	451	10001188	FLAT WASHER	
122*	1132710847011	BUMPER	414	10001127	DOOR	452*		MUZZLE PROTECTOR	
124	10000912	RUBBER PAD	415		PIN	453		PROTECTOR WASHER	
201		O - RING	416		PIN-NAIL STOP	454		DUST SHIELD PLUG	
202		PLUNGER CAP	417*	1135H08600011	PU RETAINER	455		HEX.SOC.HD.BOLT	
203	10001378	O - RING	418	1131D04600011	URETHANE RETAINER	456		SAFETY SPRING	
204		O - RING	419		SAFETY SPRING	H		TRIGGER VALVE SET	
205		VALVE PLUNGER	420		NAIL STOP				
206		O - RING	421	10001129	DOOR SHAFT PIN				
207		SPRING	422	10001072	SAFETY A UNIT				
208		O - RING	423*	901045 (3 pcs)	PROTECTIVE CASING				
209		PLUNGER	424	10001038	E - RING				
210		TRIGGER VALVE HEAD	425	10001095	SAFETY GUIDE				
211		PIN	426	10001093	SAFETY SPRING				
212		COVER-PLUNGER	427	10001043	SPRING PIN				
213		O - RING	428	10001073	SAFETY B UNIT				
214		O - RING	429	10000980	ADJUST AXIE				
215	10001192	SPIRAL PINS	430	10001149	SAFETY COVER				

