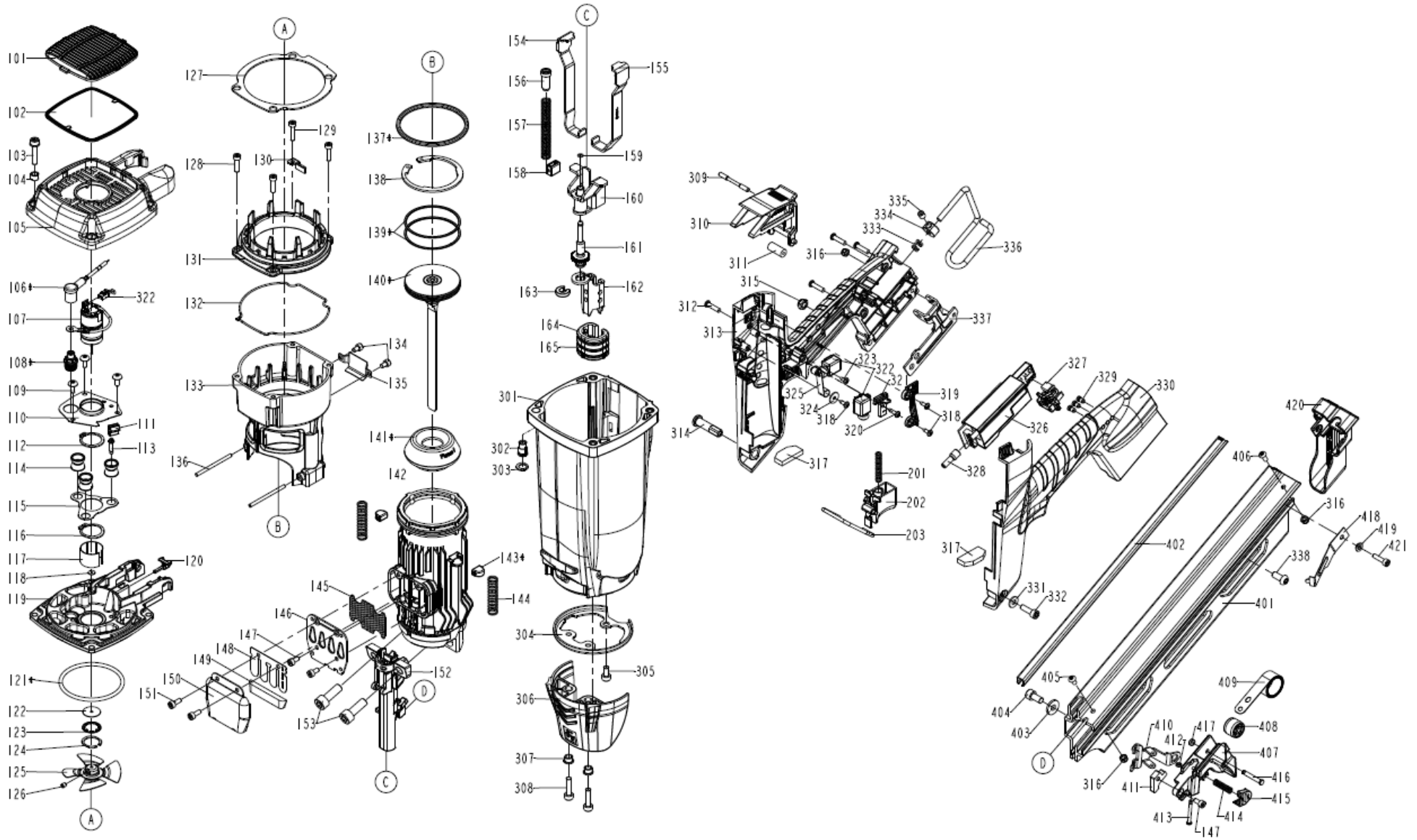


# Nail gun ESSVE FNG 34/90 G4

Art No: 10000198



# Nail gun ESSVE FNG 34/90 G4

Art No: 10000198

Pos	Art. Nr.	Name	Pos	Art. Nr.	Name	Pos	Art. Nr.	Name	Pos	Art. Nr.	Name
101	10001276	DEFLECTOR	140	10001206	DRIVER UNIT	311		BUSH-FUEL ACTUATOR	410	10001259	PUSHER
102	10001215	FILTER UNIT	141	10001234	BUMPER	312		TAP BOLT	411	10001266	SQUARE UNTS
103	10001307	BOLT W/FLAT WASHER	142		CYLINDER	313		HANDLE A UNIT	412	10001226	RETAINER
104	10001274	COLLOR	143	10001250	BUMPER-COMBUSTION CHAMBER	313		HANDLE A UNIT	413	10001223	TRIGGER PIVOT PIN
105	10001260	CAP	144	10001240	SAFETY SPRING	314		HANDLE BOLT	414	10001264	SPRING
106	10001214	HIGH VOLTAGE CABLE SET	145	1139W11500012	EXHAUST MESH PLATE	315		LOCK NUT	415		GLOVE
107	10001211	MOTOR UNIT	146	10001299	EXHAUST BAFFLE	316		LOCK NUT	416	10001282	ROLL PIN
108	1120D11547011	SPARKLER	147		HEX.SOC.HD.BOLT	317		SPACER	417	10001254	PU RETAINER
109	10001311	HALF ROUND HD.HEX.BOLT	148	1139X11500012	REED VALVE	318	10001316	SELF TAPPING BOLT	418		STOP NAIL PLATE
110	10001228	POSITIONING SHEET	149	10001296	CLEANER	319	10001231	BRACKET UNIT	419	10001280	GASKET
111	10001269	GROUND WIRE BRACKET	150	10001301	DEFLECTOR	320	10001318	SELF TAPPING BOLT	420	10001290	PROTECTING HOOD COVER
112		C - RING	151		HEX.SOC.HD.BOLT	321	10001232	WIRE GUIDE B	421		HEX.SOC.HD.BOLT
113	10001305	POSITIONING SHAFT	152		NOSE PIECE	322	10001216	MOTOR CABLE			
114	10001251	FEED BUMPER	153		HEX.SOC.HD.BOLT	323	10001317	SELF TAPPING BOLT			
115	10001247	SPACER	154	10001236	SAFETY C(RIGHT)	324	10001319	FLAT WASHER			
116		C - RING	155		SAFETY C(LEFT)	325	10001212	MOTOR FAN SWITCH LEVER UNIT			
117		SLEEVE MOTOR	156	10001291	SAFETY ROD	326	10001210	PCB ASSEMBLY			
118		WASHER-MOTOR SHAFT	157	10001241	SAFETY SPRING	327	10001217	CONNECTING UNIT			
119		END CAP-COMBUSTION CHAMBER	158	10001249	FEED BUMPER	328	10001306	INSULATING SLEEVE			
120	113A611511013	FUEL STEM ADAPTER	159	10001323	SELF-LOCKING EXTERNAL NUTS	329		LED COVER			
121	10001326	O - RING	160	10001219	SAFETY B UNIT	330		HANDLE A UNIT			
122	10001275	SEAL	161	10001218	ADJUST AXIE UNIT	330		HANDLE A UNIT			
123	10001230	SEAL PLATE-MOTOR	162	1133111547071	SAFETY A	331		FLAT WASHER			
124	10001322	IN-CONCENTRIC RING	163	10001225	RING	332		HEX.SOC.HD.BOLT			
125	10001208	COOLING FAN ASSEMBLY	164	10001244	PROTECTIVE CASING	333	10001289	SPRING RETAINER			
126	10001313	HEX.SOC.HD.SCREW	165	10001227	FIXED RING	334	10001261	POSITIONING AXIS			
127	10001248	SPACER	201	10001224	SPRING	335	10001314	HEX.SOC.HD.SCREW			
128	10001308	HEX.SOC.HD.BOLT	202	10001222	TRIGGER	336	10001246	SPRING RETAINER			
129	10001309	HEX.SOC.HD.BOLT	203	10001239	SAFETY	337	10001271	RAFT HOOK BRACKET			
130	10001253	GUIDE	301		GUN BODY	338		HALF ROUND HD.HEX.BOLT			
131		UPPER COMBUSTION CHAMBER	302	10001293	CAP NUT	401	10001287	MAGAZINE A			
132	10001235	PACKING	303	10001281	WASHER CAP	402		STEEL CHANNEL			
133		COMBUSTION CHAMBER	304		CYLINDER BRACKET	403		FLAT WASHER			
134		HEX.SOC.HD.BOLT	305		HEX.SOC.HD.BOLT	404		HEX.SOC.HD.BOLT			
135	10001295	WASHER	306	10001279	SAFETY COVER	405		HALF ROUND HD.HEX.BOLT			
136		PIN	307	10001294	WASHER-NOSE COVER	406		HALF ROUND HD.HEX.BOLT			
137	10001325	O-RING	308	10001310	HEX.SOC.HD.BOLT	407	10001262	PROTECTING HOOD COVER			
138	10001321	C - RING	309		PIN-FUEL ACTUATOR	408	10001283	ROLLING ELEMENT			
139	10001252	PISTON RING	310		FUEL ACTUATOR	409	10001278	SPRING			

