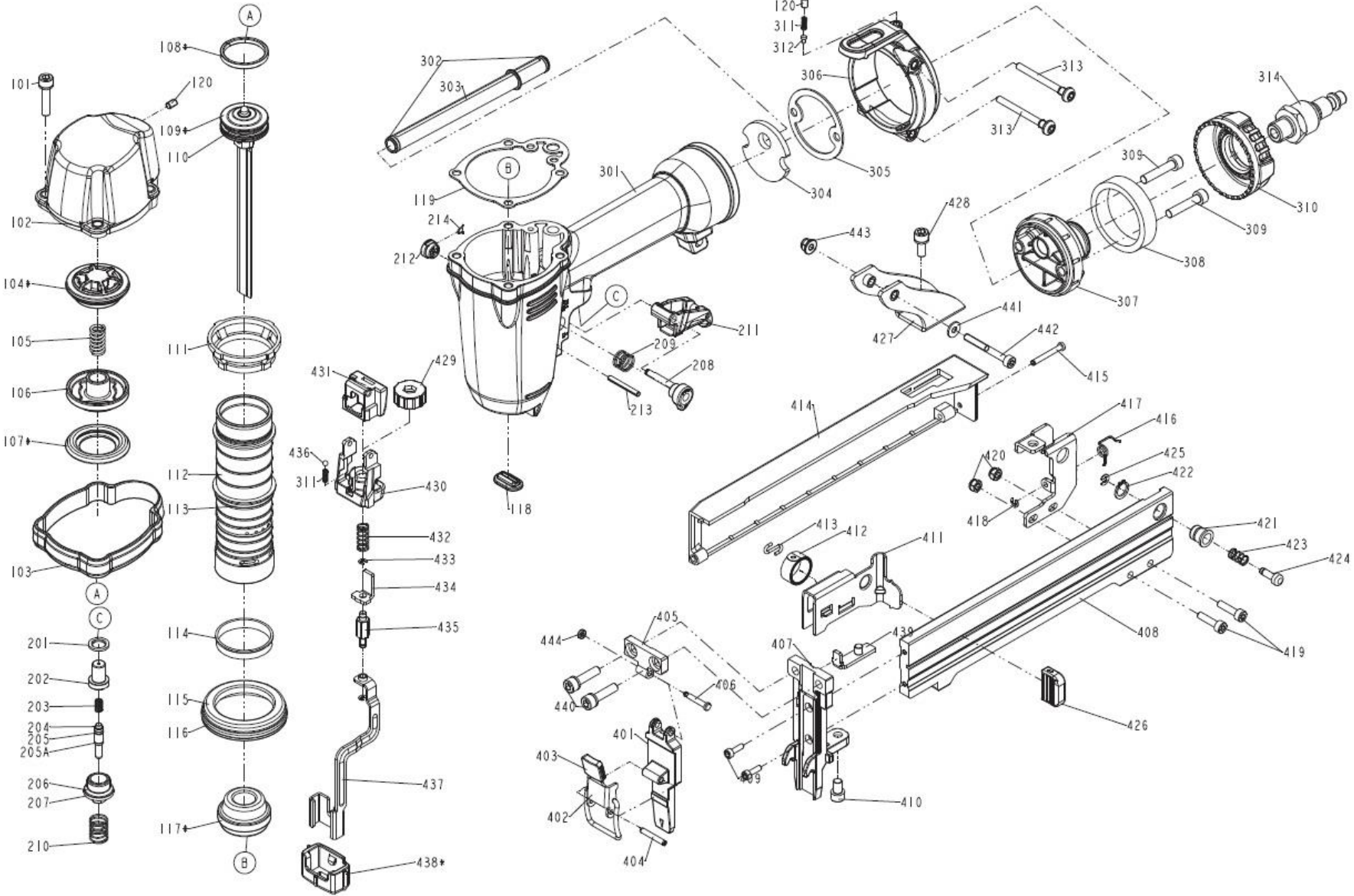


ESSVE Medium Stapler, ESSVE MS 500/40



ESSVE Medium Stapler, ESSVE MS 500/40

Pos	Art. Nr.	Name	Pos	Art. Nr.	Name	Pos	Art. Nr.	Name	Service kits:
101		BOLT ASSY	304	10000957	FILTER	428	10001000	BOLT ASSY	901103 Service kit
102		CAP	305	10000865	GASKET	429	10000983	ADJUST AXIE	901105 Driver kit
103		PROTECTIVE CUSHION	306	10000831	SPRING RETAINER	430	10000881	SAFETY GUIDE	901107 Latch/magazine kit
104*		COLLAR	307	10000896	END CAP	431	10000853	SAFETY SPRING BASE	901109 No mark set
105	10000915	COMPRESSION SPRING	308	10000867	MUFFLER	432		SAFETY SPRING	901111 Trigger valve kit
106	10000931	HD.VALVE PISTON	309	10001016	HEX.SOC.HD.BOLT	433	10001032	E - RING	901191 Trigger Switch kit
107*		SEAL	310	10000984	GUIDE PLATE	434	10000870	SAFETY	
108*		PISTON RING	311	10000852	POSITIONING SPRING	435	10000982	ADJUST ROD A	
109		DRIVER UNIT	312	1136C00847011	POSITIONING SHAFT	436	10001060	STEEL BALL	
110		O - RING	313	10000966	SCREW	437	10001356	SAFETY A UNIT	
111	10000991	COLLAR	314	901147	AIR PLUG	438	901109 (3 pcs)	PROTECTIVE CASING	
112	10000854	CYLINDER	401	10001344	DRIVER GUIDE COVER A	439	10001357	POSITIONING SHEET UNIT	
113		O - RING	402		LOCK HANDLE UNIT	440		BOLT ASSY	
114	10000858	CYLINDER RING	403		PUSHER CUSHION	441		FLAT WASHER	
115	10000855	CYLINDER SPACER	404		SPIRAL PINS	442		HEX.SOC.HD.BOLT	
116		O - RING	405	10001345	DRIVER GUIDE COVER B	443	10001324	BOLT CAP	
117*		BUMPER	406		FIXED PIN	444	1131D04600011	URETHANE RETAINER	
118	10001343	JOINT GUIDE	407	10001346	DRIVER GUIDE	445	10001358	O - RING	
119*		CYLINDER CAP SEAL	408	10001347	MIDDLE STRIP				
120	2040104020200	HEX.SOC.HD.SCREW	409	2040101010502	HEX.SOC.HD.BOLT	C		Trigger valve	
201	10000888	SEAL	410	2040101030302	HEX.SOC.HD.BOLT				
202	10000943	TRIGGER VALVE HEAD	411	10001349	PUSHER				
203	10000889	SPRING	412		SPRING				
204	10000945	PLUNGER	413		SPRING RETAINER				
205	10001061	O - RING	414	10001350	MOUNTING BRACKET				
205A	10001062	O - RING	415	10001351	LATCH PIN				
206	10001066	O - RING	416		SPRING				
207	10000944	PLUNGER CAP	417		BRACKET UNIT				
208		HINGE POINT	418	10001352	E - RING				
209		SPRING	419	10001010	HEX.SOC.HD.BOLT				
210	10000946	SPRING	420	10001055	LOCK NUT				
211	10000823	TRIGGER UNIT	421	10001353	DOOR LATCH COVER				
212	1131M03747011	LOCATING WHEEL	422		SNAP RING				
213	10001046	SPRING PIN	423		LATCH SPRING				
214	1131C03700011	RING	424	10001354	DOOR LATCH				
301		GUN BODY UNIT	425	10001037	E - RING				
302		O - RING	426		PUSHER CUSHION				
303		LINK ROD	427	10001355	BRACKET UNIT				

